

Specifications

Camera Models:

Insight Color: Color Camera
Insight B/W: Monochrome Camera

CCD Information:

Insight Color: Kodak KAI-2000
Color Mosaic

Insight B/W: Kodak KAI-2000
Monochrome

Imaging Area: 11.8mm x 8.9mm

Active Pixels: 1600 x 1200 (1.92 million)

Pixel Size: 7.4 μ m square pixels

Full Well Charge Capacity:
35,000e

Insight Color Image Resolution:

Live Mode: 800 x 600
Captured Image: 1600 x 1200

Insight B/W Image Resolution:

Live Mode: 1600 x 1200
Captured Image: 1600 x 1200

Bit Depth of Insight Color:

Sampled at: 30 bit RGB
Saved file formats: 24 bit RGB,
36 bit RGB or 48 bit RGB

Bit Depth of Insight B/W:

Sampled at: 10 bit Monochrome
Saved file formats: 8 bit mono,
12 bit mono or 16 bit mono

Pixel Readout Rate:

Live mode: 36 MHz
(2 channels x 18 Mhz)

Captured Images: 18 MHz
(1 channel x 18 Mhz)

Live Image Frame Rate

(733 PIII w/810e Graphics):
Insight Color: 15 frames/s
Insight B/W: 15 frames/s

Acquisition Time to Monitor

(processor dependent):
Insight Color: < 6 seconds
Insight B/W: < 1 second

A/D Converter Full Scale Set to:

31,500 e (for Gain=1)

Signal to Noise Ratio: 58 dB

Anti-blooming Factor:

300x(nominal), 100x (minimum)

Exposure: Auto and User Defined

Range: 1 ms- 536 seconds
(1 Saturated Hot Pixel @ 5 sec. typ.)

Lens Mount: "C"-mount

Flange to Rear Lens Clearance:
0.46" (11.7 mm) maximum

Computer Interface Card Supplied:

PCI Bus Card

External Shutter Control:

BNC, TTL Level Output

Power Requirements:

100-240 VAC, 47-63 Hz

Weight: Camera: 1.5 lbs.

Power Supply: 0.5 lbs.

Certifications: CE, FCC Class A

Computer Requirements:

PC: Pentium 166 or greater
Windows 95/98/00/NT

Mac: Power PC w/ PCI Bus, Mac OS 8.6
or greater

RAM: 64 MB or greater

Video Card: Support of 24 bit RGB at
desired resolution

Software Features:

- Color Live Image Window
- Image Capture Window
- Predefined Image Types
- Auto Exposure
- Auto White Balance
- Flatfield Correction
- Zoom & Pan Window
- Image Enhancement Tools
- Annotation
- Calibration Mark
- Measure: Length,
Perimeter Area, Angle
- Print Layout Dialog
- On line Help Menu
- Imaging Archiving Database (PC only)
- Report Generator
- Sequential Imaging

Image File Formats:

TIFF, TIFF-JPEG, JPEG, BMP, PICT

File Size:

Insight Color:
24 bit / 5.49 MB
36 bit / 8.24 MB
48 bit / 10.99MB

Insight B/W:

8 Bit / 1.83 MB
12 bit / 2.75 MB
16 bit / 3.66 MB

Drivers Included:

Twain for Windows 95/98/00/NT
AppleEvent for Mac OS

Native Drivers for 3rd Party Software:

Call or visit our website

Items Included:

Camera, PCI Plug-In Board, Power
Supply, Power Cord, Power Supply Cable,
Data Cable, Software Install CD
(includes Windows Twain Driver
and Mac AppleEvent), User Guide,
1 Year Limited Warranty

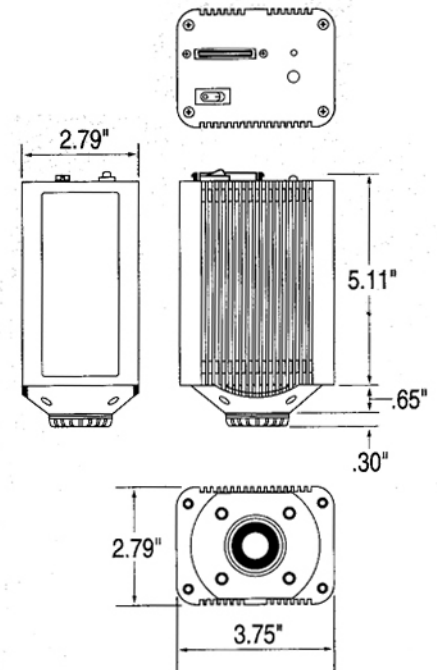
Suggested Couplers:

D10XXC: 1x C-Mount Coupler or
HRU060-CMT: 0.6x Ultra-Wide Field of
View (25 FN) Plan Apochromat C-Mount
Coupler

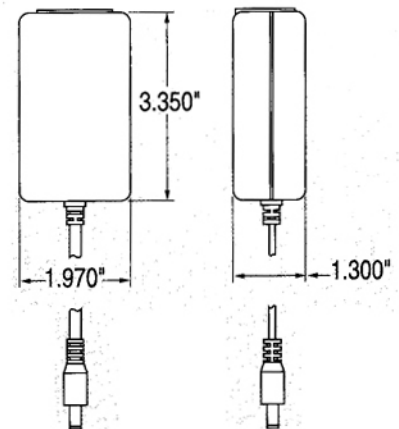
Suggested Lenses:

"C"- Mount Lens for 1" Format CCD

Camera Dimensions



Power Supply Dimensions



DIAGNOSTIC
instruments, inc.

6540 Burroughs St.
Sterling Heights, MI 48314-2133 USA
Ph: 586-731-6000
Fx: 586-731-6469
E-mail: Info@diaginc.com
Website: www.diaginc.com