

The PathStation Solutions provide a complete “In-Hood” imaging system for uninterrupted workflow. PathSuite software and hardware are created (and customized as required) specifically for your Lab.

The PathStation includes all mounting hardware and lighting for specific Grossing hood model and has been optimized for smooth task-oriented workflow. Hands-free operation of camera is accomplished via foot pedal or voice commands. Images are easily annotated, and specimens measured directly on the touch screen. Barcode scanners provide specimen tracking. Auto filing capabilities allow for instant image storage to case files on your file server or to your dedicated LIMS system.

**PathStation™ makes it easy!**



# PathStation™

FOR THERMO SCIENTIFIC SHANDON  
GROSSLAB SENIOR WORKSTATION



Features	Benefits
Camera	Computer-controlled 5Mp SPOT Idea camera
Lens	Computer-controlled 17X motorized zoom lens
Lighting	4 high intensity LED illumination pods outputting 7,000 lumens each, 4100° balanced lighting for neutral white color Bulb life -- 50,000 hours
Polarizers	Eliminates wet tissue glare
Contrast Board	Ensures consistent high contrast background for tissue specimens
Lab Designed	Sealed and non-corrosive surfaces for long life and easy cleaning
Ergonomic Design	Space saving, comfortable to use, and designed to fit your workstation
LIMS Interface	Direct connection to LIMS environment
PathSuite Software	Pathology-focused software is fully and easily customizable for every unique lab environment



**SPOT™ Imaging Solutions**  
A division of Diagnostic Instruments, Inc.

## Specifications

Software Interface	<p>SPOT PathSuite user interface which can be customized to optimize your workflow with standard features such as:</p> <ul style="list-style-type: none"> <li>• Image auto-naming and filing by case and specimen number</li> <li>• FootSwitch control over zooming, focusing, image capture, and live image</li> <li>• Set your start zoom and focus levels</li> <li>• Zoom level Indicator and touch screen control</li> <li>• Set your accession prefix(es)</li> <li>• Image formats: JPEG, JPEG2000, TIFF, MacPICT, Windows Bitmap, TIFF JPEG and BigTIFF</li> <li>• Save images with or without annotations, case numbers or calibration marks</li> <li>• Standard calibration mark format: mm/cm (others optional)</li> <li>• Set the section and block numbering format (A1, A2, or 1A, 1B)</li> <li>• Choose to reset the counters with each image or each case</li> <li>• Selectable barcode scanning for operator login, case login, and specimen login independent of each other</li> </ul>
--------------------	--

Field of View	<p>Minimum: 2.0" x 1.375" Maximum: 35.75" x 30.0"</p>
---------------	---

Ergonomic Design	<p>Adjustable mounts for all-in-one computer and keyboard/mouse tray provide maximum positions and ensure comfort for all users</p> <p>Keyboard/mouse tray swivels to your desired position and folds up to save space when not in use</p>
------------------	--

Clutter-Free Cable Design	<p>Cable channels conveniently hide all cables to reduce clutter</p>
---------------------------	--

Construction Materials	<p>Designed for laboratory environments with completely washable and disinfecting surfaces</p> <p>Built with stainless steel parts and fasteners, which are solvent and corrosion resistant materials</p>
------------------------	---

Safety Tests	<p>Independently lab certified for safety and complies with part 15 of the FCC Rules and CE EN 61326 and 61010-1 standards</p>
--------------	--

Power Source Requirements	<p>AC 100~240V 5A 50/60Hz from a ground fault circuit interrupt power source</p>
---------------------------	--

Fuse	<p>8AMP/240V Slow Blow, 5x20mm</p>
------	------------------------------------

## Specifications

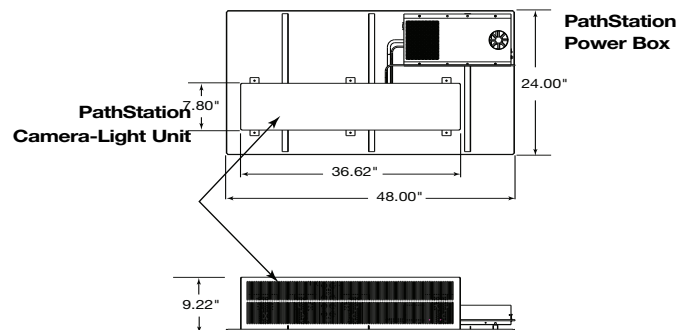
Optional Accessories	<p>Foot Pedal Barcode Scanner Voice Recognition Wireless Washable Keyboard and Mouse Monitor Color Calibrator</p>
Operating Environment	<p>0° C – 40° C (32° F – 104° F) 5 – 95% relative humidity, non-condensing</p>
Weight	<p>Shipping weight : Approximately 110 lbs without optional accessories</p>

## Computer Details

Display	<p>Medical grade, sealed, cleanable, All-In-One touch screen computer/monitor</p> <p>17" sealed LCD, 1280 X 1024 – standard</p>
Operating System	<p>Windows® XP Professional or Windows® 7</p>
Processor	<p>Intel® Core 2 Duo 2.2GHz</p>
Memory	<p>2 GB DDR SDRAM – standard 2 DDR SO-DIMM sockets, up to 4GB</p>
Video	<p>Integrated graphics card</p>
Storage	<p>160 GB SATA hard drive</p>
Network Interface	<p>Integrated 10/100/1000 ethernet – standard wireless LAN connection – optional</p>
Expansion	<p>One miniPCI slot</p>
External I/O Ports	<p>Seven USB 2.0 inputs on external hub Four USB 2.0 ports on computer Two serial/COM ports One LAN (10/100/1000) One DVI port One VGA (DB 15F) for external monitor Audio jack (one line in and one line out)</p>

## New Equipment Limited Warranty

1 year warranty on stand. Extended warranty and service contracts are available.



Windows® is a registered trademark of Microsoft. Specifications are typical and subject to change.



**SPOT™ Imaging Solutions**  
A division of Diagnostic Instruments, Inc.

6540 Burroughs Avenue • Sterling Heights • MI • 48314-2133  
phone: 586.731.6000 • fax: 586.731.6469 • website: www.spotimaging.com  
Data Sheet: PathStation Thermo Senior