



# PathWall™

DATA SHEET

**SPOT™ Imaging Solutions**  
**PathWall™ is designed specifically to meet needs of the Pathology lab for bench top documentation of dissections.**

The PathWall™ is a complete turnkey system that includes all the mounting accessories, imaging equipment, high intensity anti-glare LED lighting, computer controller and software to provide a smooth, task oriented workflow. Imagine hands-free zoom, focus and image capture with on-screen section lines, block labels, regions of interest and even measurements.

Now documentation of the gross dissection is so easy and routine, every case can be documented from receipt of containers, through documentation of sample "As Received" to full annotation and auto-saving to your OS File server or LIMS system.

**PathWall™ makes it easy!**



## Features

## Benefits

Camera	Computer-controlled 5 Mp SPOT Idea camera
Lens	Computer-controlled 17X motorized zoom lens
Lighting	4 high intensity LED illumination pods outputting 13,600 lumens, 4100° balanced lighting for neutral white color Bulb life -- 50,000 hours
Polarizers	Eliminates wet tissue glare
Contrast Board	Ensures consistent high contrast background for tissue specimens
Lab Designed	Sealed and non-corrosive surfaces for long life and easy cleaning
Ergonomic Design	Space saving, comfortable to use, and designed to fit your workstation
LIMS Interface	Direct connection to LIMS environment
PathSuite Software	Task-focused workflow



**SPOT™ Imaging Solutions**  
*A division of Diagnostic Instruments, Inc.*

## Specifications

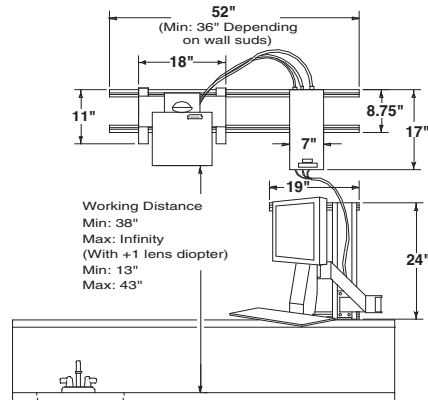
Software Interface	<p>SPOT PathSuite user interface which can be customized to optimize your workflow with standard features such as:</p> <ul style="list-style-type: none"> <li>• Image auto-naming and filing by case and specimen number</li> <li>• FootSwitch control over zooming, focusing, image capture, and live image</li> <li>• Set your start zoom and focus levels</li> <li>• Zoom level Indicator and touch screen control</li> <li>• Set your accession prefix(es)</li> <li>• Image formats: JPEG, JPEG2000, TIFF, MacPICT, Windows Bitmap, TIFF JPEG and BigTIFF</li> <li>• Save images with or without annotations, case numbers or calibration marks</li> <li>• Standard calibration mark format: mm/cm (others optional)</li> <li>• Set the section and block numbering format (A1, A2, or 1A, 1B)</li> <li>• Choose to reset the counters with each image or each case</li> <li>• Selectable barcode scanning for operator login, case login, and specimen login independent of each other</li> </ul>
Working Distance	13" to infinity
Ergonomic Design	<p>Adjustable mounts for all-in-one computer and keyboard/mouse tray provide maximum positions and ensure comfort for all users</p> <p>Keyboard/mouse tray swivels to your desired position and folds up to save space when not in use</p> <p>Pull-out mouse tray can be positioned for either left or right-handed users</p>
Clutter-Free Cable Design	Cable channels conveniently hide all cables to reduce clutter
Construction Materials	<p>Designed for laboratory environments with completely washable and disinfecting surfaces</p> <p>Built with stainless steel parts and fasteners, which are solvent and corrosion resistant hardened materials</p>
Safety Tests	Independently lab certified for safety and complies with part 15 of the FCC Rules and CE EN 61326 and 61010-1 standards
Power Source Requirements	AC 100~240V 5A 50/60Hz from a ground fault circuit interrupt power source
Fuse	8AMP/240V Slow Blow, 5x20mm

## Specifications

Optional Accessories	<p>Foot Pedal Barcode Scanner Voice Recognition Wireless Washable Keyboard and Mouse Monitor Color Calibrator</p>
Operating Environment	<p>0° C – 40° C (32° F – 104° F) 5 – 95% relative humidity, non-condensing</p>
Weight	Shipping: Approximately 110 lbs without optional accessories

## Computer Details

Display	<p>Medical grade, sealed, cleanable, All-In-One touch screen computer/monitor</p> <p>17" sealed LCD, 1280 X 1024 – standard</p>
Operating System	Windows® XP Professional or Windows® 7
Processor	Intel® Core 2 Duo 2.2GHz
Memory	<p>2 GB DDR SDRAM – standard</p> <p>2 DDR SO-DIMM sockets, up to 4GB</p>
Video	Integrated graphics card
Storage	150 GB SATA hard drive
Network Interface	Integrated 10/100/1000 ethernet – standard wireless LAN connection – optional
Expansion	One miniPCI slot
External I/O Ports	<p>Seven USB 2.0 inputs on external HUB</p> <p>Four USB 2.0 ports on computer</p> <p>Two serial/COM ports</p> <p>One LAN (10/100/1000)</p> <p>One DVI port</p> <p>One VGA (DB 15F) for external monitor</p> <p>Audio jack (one line in and one line out)</p>



Windows® is a registered trademark of Microsoft. Specifications are typical and subject to change.



**SPOT™ Imaging Solutions**  
A division of Diagnostic Instruments, Inc.

6540 Burroughs Avenue • Sterling Heights • MI • 48314-2133  
phone: 586.731.6000 • fax: 586.731.6469 • website: www.spotimaging.com  
Data Sheet: PathWall