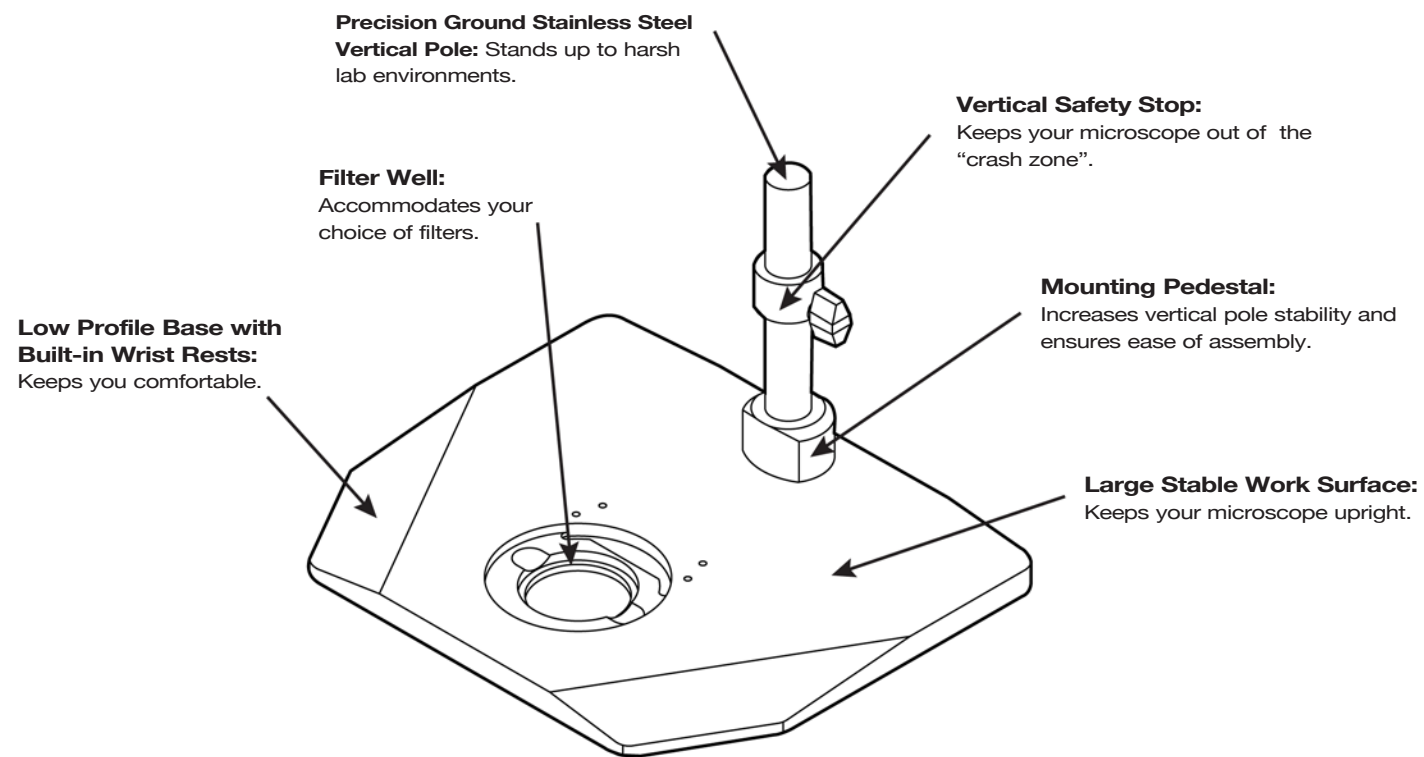


## TLB 1000 Series Features



### The complete TLB Series

**3000**  
TLB Series



#### Fiber Optic Transilluminating Stereo Microscope Stand

The TLB3000's large work area and sliding, tilttable mirror make it an economical and versatile choice for general brightfield use, as well as many darkfield applications.

**4000**  
TLB Series



#### 20 Watt Transilluminating Stereo Microscope Stand

The TLB4000's large work area combined with its built-in 20 watt illuminator make it an economical and versatile choice for the crowded lab environment.

**Illuminator**  
Options



#### Great selection of optional Illuminators available

Using the best manufacturer's of stand-alone illuminators, we offer the halogen based Volpi® NCL-150 and Intralux. For LED lighting we have the G-Lighting®



**SPOT™ Imaging Solutions**  
A division of Diagnostic Instruments, Inc.

6540 Burroughs Avenue • Sterling Heights • MI • 48314-2133 • USA • Toll Free USA: 1.866.604.SPOT  
Phone: +1 586.731.6000 • Fax: +1 586.731.6469 • Web: [www.spotimaging.com](http://www.spotimaging.com)



**Stereo**  
**Microscope**  
**Stands**

**TLB 1000**  
**Series**



**SPOT™ Imaging Solutions**  
A division of Diagnostic Instruments, Inc.

**1000**  
TLB Series

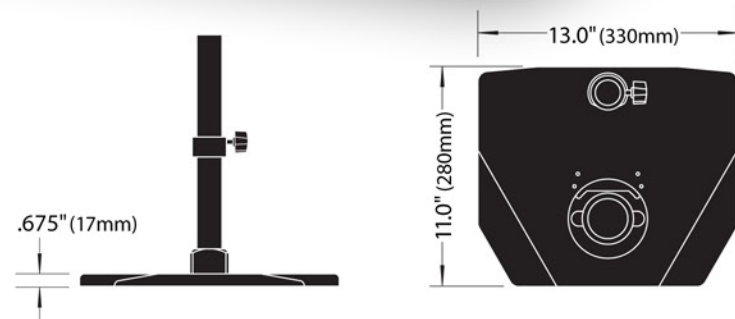
**TLB1000 Sturdy Stereo Microscope Stand**

**Sturdy Stereo Microscope Stand**

**Features of the TLB1000**

- **Large, stable work surface**
- **Low profile with built-in wrist rests**
- **Ideal stand for large stereo microscopes with camera systems**

This stand is a more stable version of the standard stand that is offered with most stereo microscopes. When a camera system is added to most stereo microscopes, the combination becomes top heavy. Starting with the TLB1000 lessens the fear that an accidental bump could knock over the camera-microscope combination.



**TLB1000 Sturdy Stereo Microscope Stand**

Standard Equipment	Ordering TLB 1000 Series Systems	Part Number
1 Base	<b>Leica</b>	
1 Vertical mounting pole	Leica MZ, MS, GSZ series, accepts 450 171 or 450 299 columns (column <u>NOT</u> included)	TLB1026
1 Vertical stop	Leica S6D, S8 APO (column <u>NOT</u> included)	TLB1026
1 Black & white contrast stage plate (100mm DIA)	<b>Meji</b>	
2 Stage clips	Meji EMZ-1 (20mm Ø x 406mm mounting column)	TLB1016
	<b>Nikon</b>	
	Nikon SMZ-U, SMZ-10A, SMZ645, SMZ660, SMZ800 (32mm Ø x 406mm mounting column)	TLB1019
	Nikon SMZ1500, SMZ1000, SMZ-10	TLB1019
	<b>Olympus</b>	
	Olympus SZX, SZH, SZ with SZ-STS focus mount (32mm Ø x 254mm mounting column)	TLB1018
	<b>Wild</b>	
	Wild (25 mm Ø x 406 mm mounting column)	TLB1007
	<b>Zeiss</b>	
	Zeiss Stemi series, SV6, SV8, SV11, SR, DR, DRC (32mm Ø x 406mm mounting column)	TLB1006

**Standard Equipment**

- 1 Base
- 1 Vertical mounting pole
- 1 Vertical stop
- 1 Black & white contrast stage plate (100mm DIA)
- 2 Stage clips

**Weight Specifications**

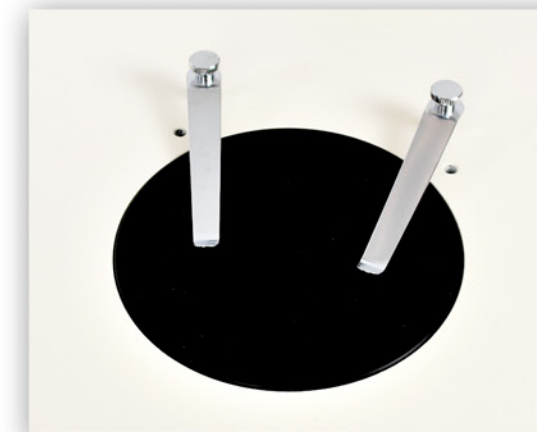
Base weight: 13.75 lbs. (6.25 kg)  
Shipping weight: 16 lbs. (7.3 kg)

**Available Options**

- Custom length vertical mounting poles
- TLB96TP Top plate option for microplate support (while supplies last)

**Ordering TLB 1000 Series Systems**

Ordering TLB 1000 Series Systems	Part Number
<b>Leica</b>	
Leica MZ, MS, GSZ series, accepts 450 171 or 450 299 columns (column <u>NOT</u> included)	TLB1026
Leica S6D, S8 APO (column <u>NOT</u> included)	TLB1026
<b>Meji</b>	
Meji EMZ-1 (20mm Ø x 406mm mounting column)	TLB1016
<b>Nikon</b>	
Nikon SMZ-U, SMZ-10A, SMZ645, SMZ660, SMZ800 (32mm Ø x 406mm mounting column)	TLB1019
Nikon SMZ1500, SMZ1000, SMZ-10	TLB1019
<b>Olympus</b>	
Olympus SZX, SZH, SZ with SZ-STS focus mount (32mm Ø x 254mm mounting column)	TLB1018
<b>Wild</b>	
Wild (25 mm Ø x 406 mm mounting column)	TLB1007
<b>Zeiss</b>	
Zeiss Stemi series, SV6, SV8, SV11, SR, DR, DRC (32mm Ø x 406mm mounting column)	TLB1006



*Black-white contrast plate and stage clips*



*Another bit of copy here explaining what the close up is representing.*

