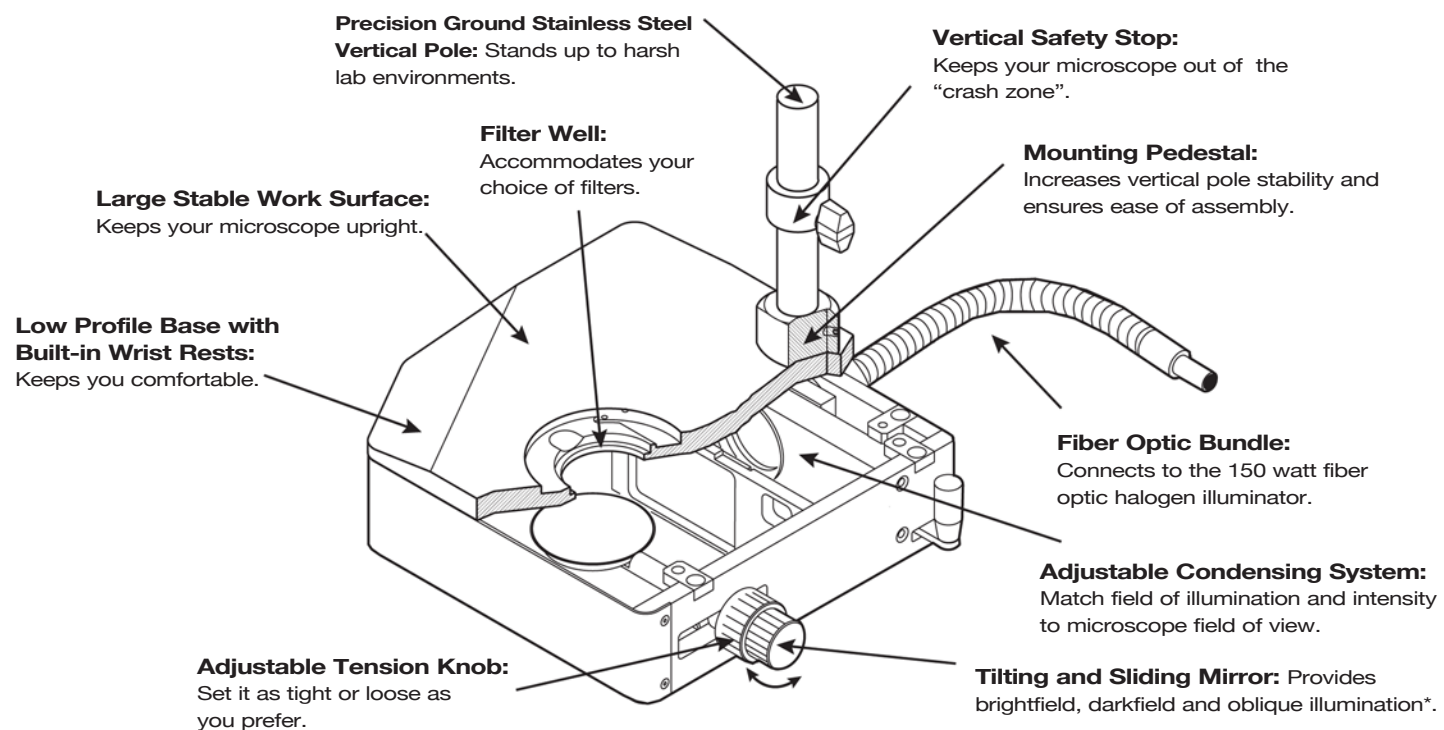


TLB 3000 Series Features



*Oblique illumination available on TLB3000 & TLB4000 models only

The complete TLB Series

1000
TLB Series



Sturdy Stereo Microscope Stand

The TLB1000 is a more stable version of the standard stand that is offered with most stereo microscopes.

4000
TLB Series



20 Watt Transilluminating Stereo Microscope Stand

The TLB4000's large work area combined with its built-in 20 watt illuminator make it an economical and versatile choice for the crowded lab environment.

Illuminator Options



Great selection of optional Illuminators available

Using the best manufacturer's of stand-alone illuminators, we offer the halogen based Volpi® NCL-150 and Intralux. For LED lighting we have the G-Lighting®



SPOT™ Imaging Solutions

A division of Diagnostic Instruments, Inc.



Stereo Microscope Stands

TLB 3000 Series



SPOT™ Imaging Solutions

A division of Diagnostic Instruments, Inc.

3000

TLB Series

TLB3000 Fiber Optic Transilluminating Stereo Microscope Stand

Fiber Optic Transilluminating Stereo Microscope Stand

Features of the TLB3000

- 150 watt cool fiber optic provides epi-illumination or transillumination
- Large, stable work surface
- Low profile with built-in wrist rests for added comfort
- Large range of mirror adjustment

The TLB3000's large work area and sliding, tiltable mirror make it an economical and versatile choice for general brightfield use, as well as many darkfield applications.

Illumination for the TLB3000 is provided by a 150 watt halogen illuminator and fiber optic bundle. At the end of the bundle there is a condensing lens for adjusting the intensity and field of illumination.

One of the outstanding qualities of the TLB3000 series is the range of motion allowed by the mirror. The mirror is mounted in a mechanism that provides tilt, as well as front to back movement. This technique allows the microscopist to vary the illumination from brightfield to darkfield.

For high magnification work, the drop-in ground glass filter increases the NA of the system. For low magnification work, the drop-in opal glass filter ensures an even field of illumination.



Standard Equipment

- 1 Mirrored base
- 1 Ground glass drop-in filter (63.5mm x 1.6mm)
- 1 Vertical mounting pole
- 1 Opal glass drop-in filter (63.5mm x 3.175mm)
- 1 Vertical stop
- 2 Stage clips
- 1 Black & white contrast stage plate (100mm DIA)
- 1 150 watt fiber optic halogen illuminator
- 1 Clear glass stage plate (100mm x 5.7mm)
- 1 Fiber optic bundle
- 1 GN-TLB Gooseneck mount for fiber optic

Weight Specifications

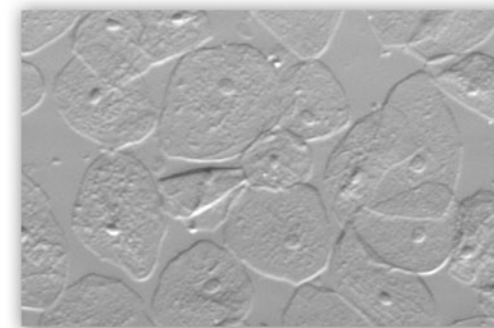
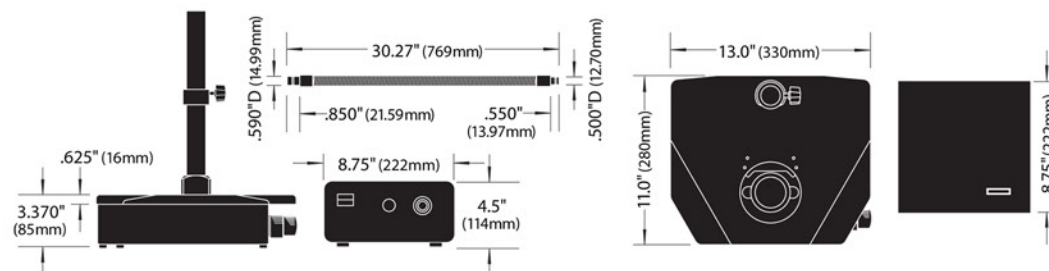
- Base weight: 19 lbs. (8.6 kg)
- Power supply weight: 12 lbs. (5.5 kg)
- Shipping weight: 34 lbs. (15.5 kg)

Available Options

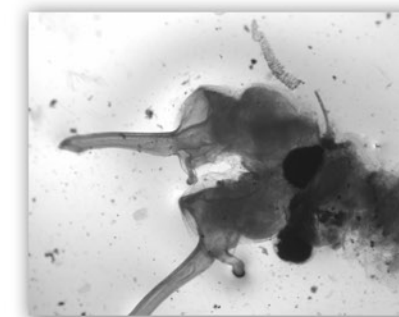
- Custom length vertical mounting poles
- TLB96TP Top plate option for micro-plate support (while supplies last)
- GN-TLB-F Gooseneck mount for Fostec fiber optic
- PBD Polarizer for TLB filter well
- NVOF1 Adapter for Fostec fiber lens (Order the Fostec power supply direct from Fostec)

Ordering TLB 3000 Series Systems

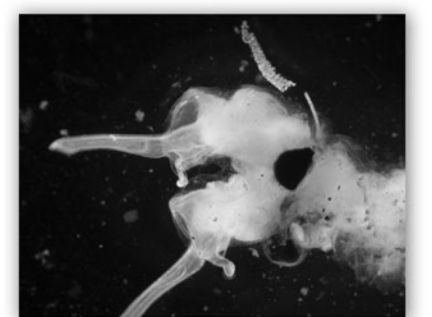
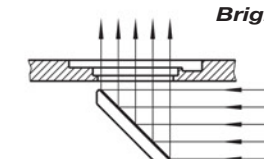
	Part Number
Leica	
Leica M, MZ, MS, GSZ series, accepts 450 171 or 450 299 columns (column NOT included)	TLB3026
Leica S6D, S8APO (column NOT included)	TLB3026
Meji	
Meji EMZ-1 (20mm Ø x 406mm mounting column)	TLB3016
Nikon	
Nikon SMZ-U, SMZ-10A, SMZ645, SMZ660, SMZ800 (32mm Ø x 406mm mounting column)	TLB3019
Nikon SMZ1500, SMZ1000, SMZ-10	TLB3019
Olympus	
Olympus SZX, SZH, SZ with SZ-STS focus mount (32mm Ø x 254mm mounting column)	TLB3018
Wild	
Wild (25 mm Ø x 406 mm mounting column)	TLB3007
Zeiss	
Zeiss Stemi series, SV6, SV8, SV11, SR, DR, DRC (32mm Ø x 406mm mounting column)	TLB3006



Oblique Illumination



Brightfield



Darkfield

