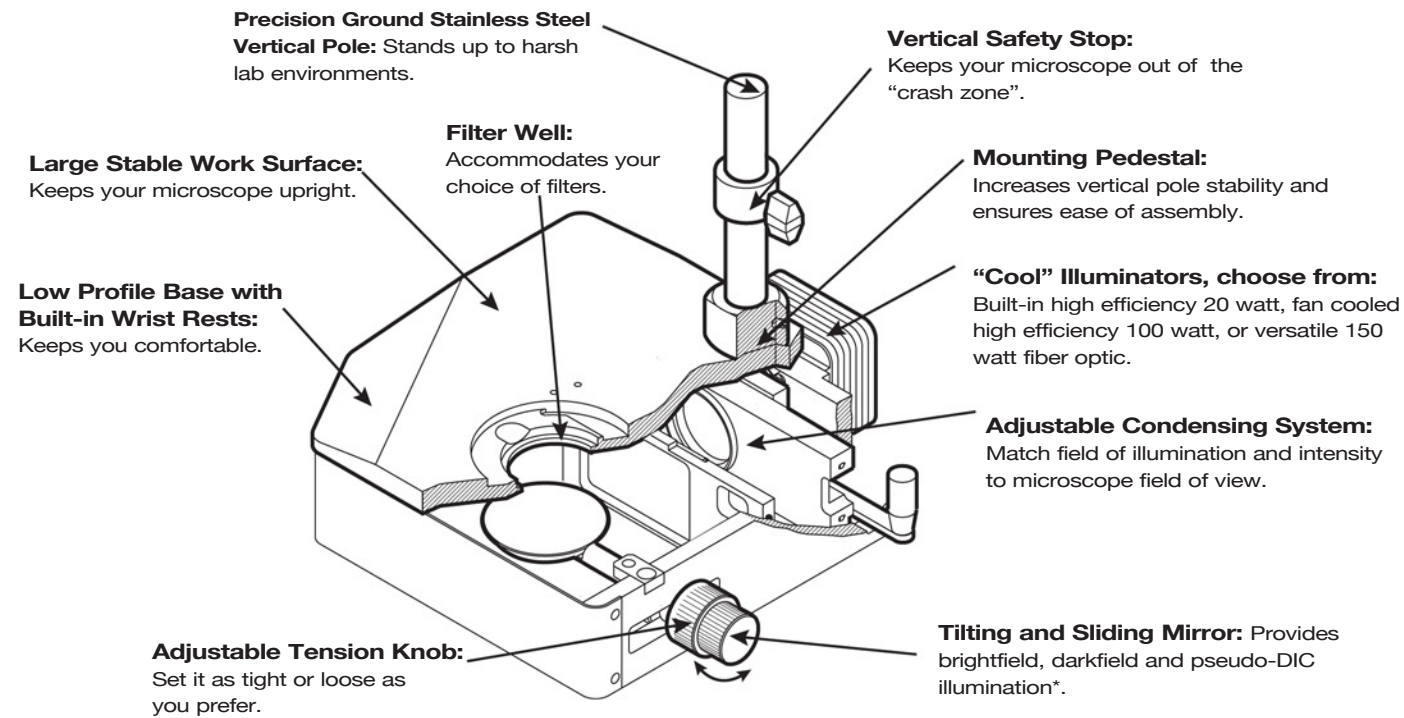


TLB 4000 Series Features



*Oblique illumination available on TLB3000 & TLB4000 models only

The complete TLB Series

1000
TLB Series



Sturdy Stereo Microscope Stand

The TLB1000 is a more stable version of the standard stand that is offered with most stereo microscopes.

3000
TLB Series



Fiber Optic Transilluminating Stereo Microscope Stand

The TLB3000's large work area and sliding, tiltable mirror make it an economical and versatile choice for general brightfield use, as well as many darkfield applications.

Illuminator Options



Great selection of optional illuminators available

Using the best manufacturer's of stand-alone illuminators, we offer the halogen based Volpi® NCL-150 and Intralux. For LED lighting we have the G-Lighting®



SPOT™ Imaging Solutions

A division of Diagnostic Instruments, Inc.



**Stereo
Microscope
Stands**

**TLB 4000
Series**



SPOT™ Imaging Solutions

A division of Diagnostic Instruments, Inc.

4000

TLB Series

TLB4000 20 Watt Transilluminating Stereo Microscope Stand

20 Watt Transilluminating Stereo Microscope Stand

Features of the TLB4000

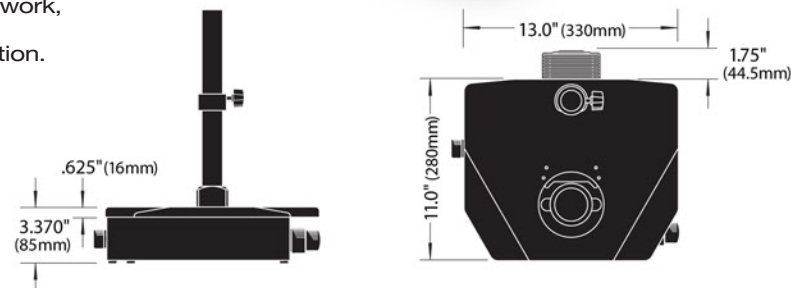
- Large, stable work surface
- Large range of mirror adjustment
- Built-in 20 watt halogen illuminator and power supply saves space
- New condensing system with reflector increases brightness by 400%
- Built-in heat filter provides cool light

The TLB4000's large work area combined with its built-in 20 watt illuminator make it an economical and versatile choice for the crowded lab environment.

The 6 volt, 20 watt power supply is continuously variable from 3 to 6 volts. It powers a high efficiency Osram Xenophot halogen lamp with a light output of 480 lumens (39 candle power). This lamp is easily accessible in its removable lamp housing. The new high efficiency optical design with reflector has increased light intensities nearly 400%. These condensing lenses can be quickly adjusted with the control lever to match the field of view and intensity to the magnification.

The mirror is mounted in a mechanism that provides tilt, as well as front to back movement.

This feature allows the user to vary the illumination from brightfield to darkfield making this base ideal for nematode research. For high magnification work, the drop-in ground glass filter increases the NA of the system. For low magnification work, the drop-in opal glass filter ensures an even field of illumination.



Standard Equipment

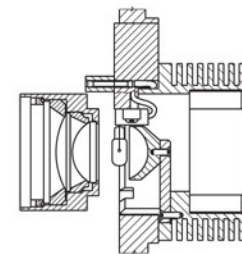
- 1 Mirrored base with built-in 20 watt power supply
- 1 Ground glass drop-in filter (63.5mm x 1.6mm)
- 1 Vertical mounting pole
- 1 Opal glass drop-in filter (63.5mm x 3.175mm)
- 1 Vertical stop
- 2 Stage clips
- 1 Black & white contrast stage plate (100mm DIA)
- 1 20 watt halogen illuminator housing
- 1 Clear glass stage plate (100mm x 5.7mm)
- 1 Adjustable condensing lens system
- 2 6 volt 20 watt replacement lamps

Weight Specifications

- Base weight: 24 lbs. (10.9 kg)
- Shipping weight: 26 lbs. (11.8 kg)

Available Options

- Custom length vertical mounting poles
- TLB96TP Top plate option for micro-plate support (while supplies last)
- GN-TLB-F Gooseneck mount for Fostec fiber optic
- GN-TLB-V Gooseneck mount for Volpi fiber optic
- PBD Polarizer for TLB filter well
- NVOF1 Adapter for Fostec fiber lens (Order the Fostec power supply direct from Fostec)



High Efficiency Condensing System

Ordering TLB 4000 Series Systems

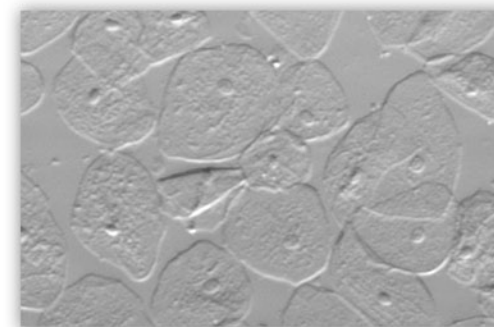
	Part Number
Leica	
Leica MZ, MS, GSZ series, accepts 450 171 or 450 299 columns (column NOT included)	TLB4026
Leica S6D, S8APO (column NOT included)	TLB4026
Meji	
Meji EMZ-1 (20mm Ø x 406mm mounting column)	TLB4016
Nikon	
Nikon SMZ-U, SMZ-10A, SMZ645, SMZ660, SMZ800 (32mm Ø x 406mm mounting column)	TLB4019
Nikon SMZ1500, SMZ1000, SMZ-10 (32mm Ø x 406mm mounting column)	TLB4019
Olympus	
Olympus SZX, SZH, SZ with SZ-ST5 focus mount (32mm Ø x 254mm mounting column)	TLB4018
Wild	
Wild (25mm Ø x 406mm mounting column)	TLB4007
Zeiss	
Zeiss Stemi series, SV6, SV8, SV11, SR, DR, DRC (32mm Ø x 406mm mounting column)	TLB4006



Brightfield



Darkfield



Oblique Illumination

