



INSIGHT™ CMOS Camera

Take a closer look.

FAST, FLUID

LIVE-IMAGE FRAME RATE, EVEN ON DIM IMAGES

AUTO EXPOSURE

OUR BEST-EVER

USB 3.0
INTERFACE



GLOBAL SHUTTER

FOR DISTORTION-FREE IMAGES,
EVEN ON MOVING SPECIMENS

ACCURATE COLOR!

SPOT SOFTWARE TRANSFORMS RAW
SENSOR COLORS INTO GLORIOUS
REALITY

**If you loved your SPOT before...
wait 'til you see us now!**

The new SPOT INSIGHT CMOS Camera

**Breakthrough Sony Pregius™ CMOS technology
and performance at a super-affordable price.**

Now you can experience unprecedented speed and sensitivity in a CMOS camera.

A global shutter insures undistorted images of moving specimens.

The INSIGHT CMOS is optimal for fluorescence microscopy,
Brightfield, Histology, Pathology, Cytology and Semiconductor Inspection.

All SPOT cameras are compatible with:



Windows



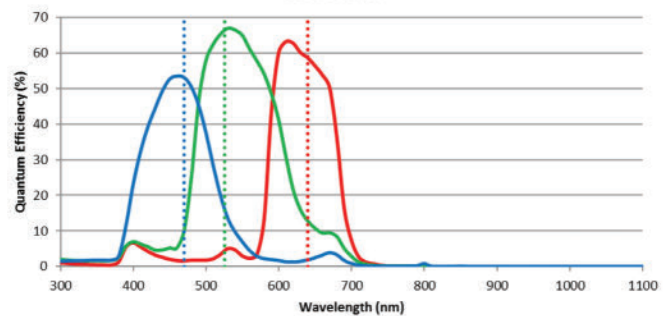
IMAGING™
Take a closer look

SPOT Insight CMOS camera with the Sony Pregius™ Sensor

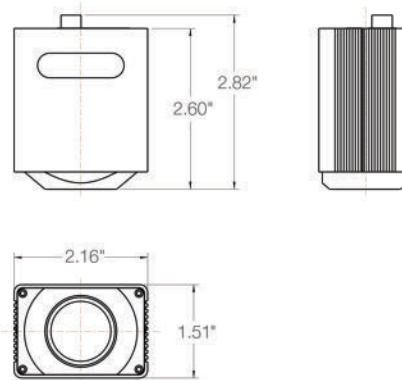
Sensor Specs	
Model	IN41C5IR
Sensor Type	Color
Captured Image Resolution	5.1MP
Live Image Resolution, No Decimation	1.3MP
Live Image Frame Rate, No Decimation, 12-bit Mono, 36-bit Color	22 f/s
Live Image Resolution, 2x2 Decimation	0.32MP
Live Image Frame Rate, 2x2 Decimation, 12-bit Mono, 36-bit Color	TBD
Sensor	Sony Pregius™ CMOS, Back Illuminated, Enhanced Near-IR
Sensor P/N	Sony IMX250
H x V, Pixels	2448 x 2048
H x V, mm	8.47mm x 7.07mm
Pixel Size	3.45 μm
Aspect Ratio	6:5
CCD Diagonal	11.0mm
Optical Format	2/3"
Shutter Type	Global Shutter
Peak QE, Color	66% at 525nm
Fixed Pattern Noise	Negligible
Camera Specs	
Lens Mount	C-mount
Computer Interface	USB 3.0
Full Well	10,300 e
Read Noise	2.4 e
Dynamic Range	73 dB
A-D Bit Depth	12-bit
Analog Gain	1, 2, 4, 8, 16, 32, 64, 128, 251
Sensor Temperature	+52C (+32C from 20C Ambient)
Exposure Time Range	7.1 μs to 3.9 sec
ROI	Yes
Exposure While Downloading	Yes
Trigger I/O (OEM models only)	Trigger In* Synch1 Out* I/O/TX, I/O/RX *(Optically isolated, requires external power supply)

Trigger I/O Connector	Hirose HR25-7TR-8A
Power Required	5V supplied via USB3 Interface
ON-OFF Switch	No
Tripod Mount	Optional
USB Connector	USB 3.0 Micro-B
Regulatory	CE, FCC Class A, RoHS
SPOT Software Application	Windows Mac
SDK Support	Windows Mac Linux

Color Mosaic + IR Filter QE



Dimensions



The suggested applications for this camera include:

- | | |
|---------------------------|--------------------------------|
| Brightfield | Histology, Pathology, Cytology |
| Darkfield | Semiconductor Inspection |
| Bright Light Fluorescence | Metrology |
| Live Cell Imaging | Whole Slide Imaging |

Availability: Q2 2016



6540 Burroughs Avenue • Sterling Heights • MI • 48314-2133
 phone: 586.731.6000 • fax: 586.731.6469 • website: www.spotimaging.com

SPOT INSIGHT CMOS Camera Data Sheet PN12032 Rev. C