

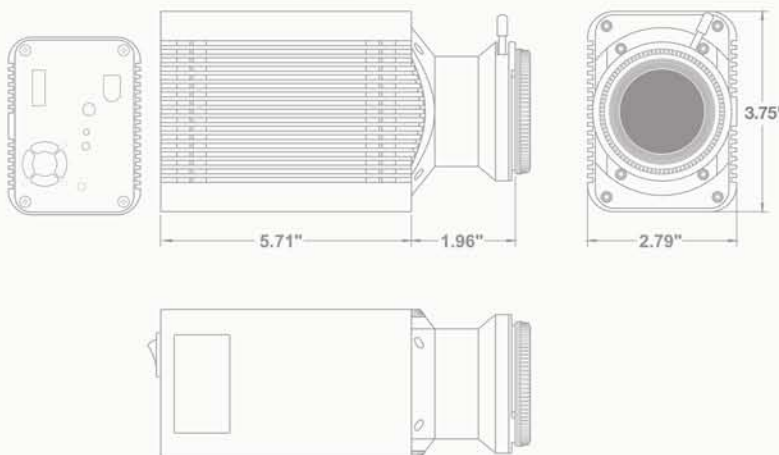
The SPOT™ Insight Color digital camera is a feature-rich complete documentation system with a low price. Its liquid crystal color filter measures red, green and blue values at each pixel, creating high resolution, true color images with incredible detail. IEEE 1394 Firewire™ connectivity enables effortless installation on computers and laptop portability.

The SPOT Insight comes with the easy to use SPOT Basic software which is fully compatible with both Windows® and Mac® operating systems. The SPOT software includes real time image previewing, acquisition, scale bar addition, report generation, time lapse, and measuring capabilities. SPOT Insight cameras come with a 2-year warranty and are supported by an experienced team of imaging specialists. The suggested applications for this camera include brightfield color imaging, time lapse experiments and bright fluorescence imaging.



# Insight™

2.0 Mp  
3-shot color



## Features

## Benefits

3-Shot image capture	More than doubles the resolution when compared to color mosaic image capture technology
1600 x 1200 1.92 Mp image capture	Resolves fine detail
Programmable gain (1-32x)	Facilitates live mode previews of low light specimens
Dual channel 20 MHz readout	Produces high-speed live images for real-time focusing and framing
42-bit x RGB color image capture	Extra bit depth is ideal for image enhancement
High quantum efficiency CCD	Increases sensitivity for faster image captures
Interline progressive scan CCD	Electronic shuttering eliminates mechanical shutter shortcomings related to speed, wear, and vibration
FireWire® interface	Allows for effortless installation, hot-swapping, and laptop connectivity for greater ease of use

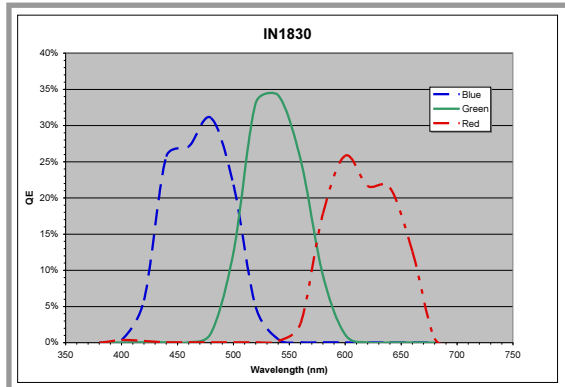


**SPOT™ Imaging Solutions**  
A division of Diagnostic Instruments, Inc.

Sensor	
Resolution	1.92 Mp Cosite Color Sampled
Sensor Type	Kodak KAI-2020-M with cover glass. Monochrome progressive scan interline CCD
Active Pixels	1600 x 1200
Pixel Size	7.4µm x 7.4µm
Active Imager Size	11.8 mm x 8.9 mm 14.8 mm diagonal
Optical Format	1"
Exposure Time	0.5 ms to 536 seconds
Binning	1x1, 2x2, 3x3, 4x4
Region of Interest	User selectable from 50x50 to full resolution
Read Noise	17 e <sup>-</sup> rms
Full Well Depth	33,333 e <sup>-</sup>
Non-Linearity	<1%
Bit Depth	14-bit
Sensor Readout Frequency	20 MHz

Camera	
Lens Mount	C-mount
Computer Interface	FireWire® IEEE 1394a interface
Trigger Connectors	External trigger input (TTL) Exposure sync output (TTL)
Tripod Mount	1/4"-20
Weight	1.6lbs. (0.72kg)
Size	2.79" x 3.75" x 7.68" (71mm x 95mm x 180mm)
Power Requirements	100-240VAC, 47-63Hz
Operating Environment	0 to 30°C ambient, 0 to 80% relative humidity (non-condensing)
Certifications	CE, FCC Class A, EN60950, RoHS

### Quantum Efficiency



### Captured Frame Rates Captured Frames per Second\*

Binning level	Region of interest	1600 x 1200	512 x 512	256 x 256
1 x 1	7.0	13.2	19.7	
2 x 2	11.7	19.5	25.8	
3 x 3	15.2	23.0	28.2	
4 x 4	17.5	25.0	29.2	

\*1ms exposure with post-processing deferred, taken with 2.6 Ghz Xeon processor running Windows XP. Capture rates on other computers OS platforms may vary.

SPOT Software	
SPOT Basic Software Features	<ul style="list-style-type: none"> <li>Live mode viewing window with controls</li> <li>Image capture window</li> <li>Image capture setups are user defined,named and saved</li> <li>Auto or manual exposure for Live and captured images</li> <li>Zoom control on Live and captured images</li> <li>Auto white balance</li> <li>Spot or average metering</li> <li>Correct Color Technology™ using ICC/ColorSync corrections</li> <li>Flatfield correction</li> <li>Annotation</li> <li>Calibration mark</li> <li>Measurement tools</li> <li>Image enhancement tools</li> <li>Sequential image capture and playback</li> <li>Report generator</li> <li>Interactive print dialog</li> <li>Help menu</li> <li>Drivers: Twain for Windows®, 3rd Party Interface for Mac®</li> </ul>
Computer Operating System Compatibility	Mac®: OS X Windows®: XP, Vista®, 7 (32 bit versions only)
Minimum Computer Requirements	Mac®: 400MHz Power PC, 512MB RAM, FireWire® IEEE 1394a port PC: 1GHz Pentium, 512MB RAM, FireWire® IEEE 1394a port Mac® and PC video: 24-bit color @ 1024 x 768 resolution
SPOT Advanced Software	Available (includes macro feature, floating taskbars and image archiving database)
SPOT Advanced Software Modules (Optional)	Available (adds image display intensity scaling, peripheral device control and extended depth of focus)
Software Development Kit	Available for Mac® and Windows®
Native Drivers for 3rd Party Software	Available (call or visit our website)

Items Included	
Camera Head	With lens cap
FireWire® Cable	Data cable (6-pin)
Power Supply	With power cord, 1.3" (33mm) x 1.97" (50mm) x 3.35" (85mm), 0.34 lbs. (0.16kg)
Quick Start Installation Guide	Instructions on how to get up and running quickly
Software CD	Includes SPOT Basic software (for both Mac and Windows) and User Guide
Warranty	2 years from date of purchase

Catalog Number	C-Mount	F-Mount
Insight 2.0 3-Shot Color	IN1830	N/A

Mac® is a registered trademark of Apple Inc.  
Windows® is a registered trademark of Microsoft.  
Specifications are typical and subject to change.



**SPOT™ Imaging Solutions**  
A division of Diagnostic Instruments, Inc.

6540 Burroughs Avenue • Sterling Heights • MI • 48314-2133  
phone: 586.731.6000 • fax: 586.731.6469 • website: www.spotimaging.com  
Data Sheet: Insight 2.0 3-Shot Color Rev. B