

Paraffin Block Documentation...

# BlocDoc™

Digital Block and Slide Documentation

- Meets accreditation checklist requirements
- Provides automated operation
- Provides enhances image review
- Documents all microtomy process samples

**FAST**

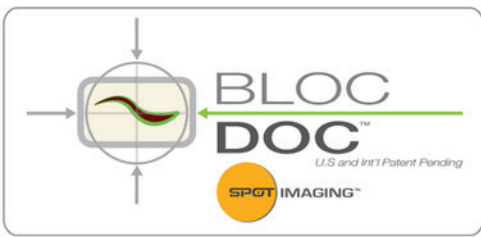
One Button  
2-Second  
Operation



Easy to  
Clean  
Design



US & Int'l Patent Pending



## Completing the Digital Workflow

Pathologists are great at making diagnostic determinations on the images and data they view. Now consider for a moment if not all the relevant tissue is being viewed, Pathologists cannot diagnose what they cannot see.

Pathology societies around the world have recognized that tissue may be missing from the final slide or WSI image impacting the diagnosis made<sup>1,2</sup>. As a result, accreditation checklists<sup>3,4,5</sup> have been updated to include a requirement for a tissue tracking and review process asking the questions:

### Does the lab have a quality check to assure that relevant tissue is:

1. Being cut from the block
2. Making it onto the raw slide
3. Is present in the final stained slide
4. Is scanned into the whole slide image



Pathologists and pathology directors would like to answer these questions, but in the face of falling reimbursement and rising caseloads, they do not have the resources to manually audit the hundreds of blocks and raw slides that pass through their labs every day. In the current workflow, what should be done, Can't be done.

No Pathologist or laboratory director should be faced with this compromise. Solving this problem isn't about heroics and staff overtime, it is about having an efficient tool that fits your process and provides clear reference images during slide examination.

## Missing Tissue

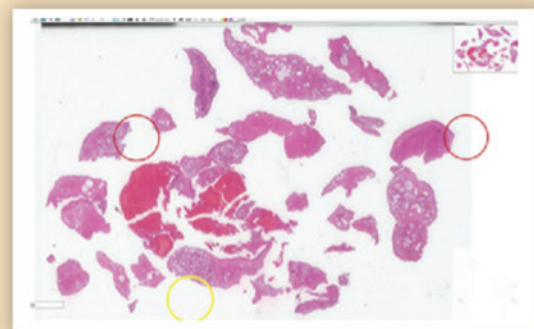
Note the subsurface tissue (circled) that is in the paraffin block that did not make it on to the slide for examination. **BlocDoc** images provide clear digital documentation enhancing both the cut surface and the subsurface tissue.



*Standard Image capture makes it difficult to see the cut and subsurface tissue.*



*BlocDoc enhanced images clearly distinguish between tissue at the cut surface and tissue below the surface.*



*Missing tissue can be easily accounted for as subsurface tissue or in other cases as tissue drop or unscanned.*

# BlocDoc Addresses Pathology Requirements

SPOT Imaging combines 54 years' experience and a dedicated pathology focus to bring you, **BlocDoc™** The New Standard in Paraffin Block and Slide Documentation.

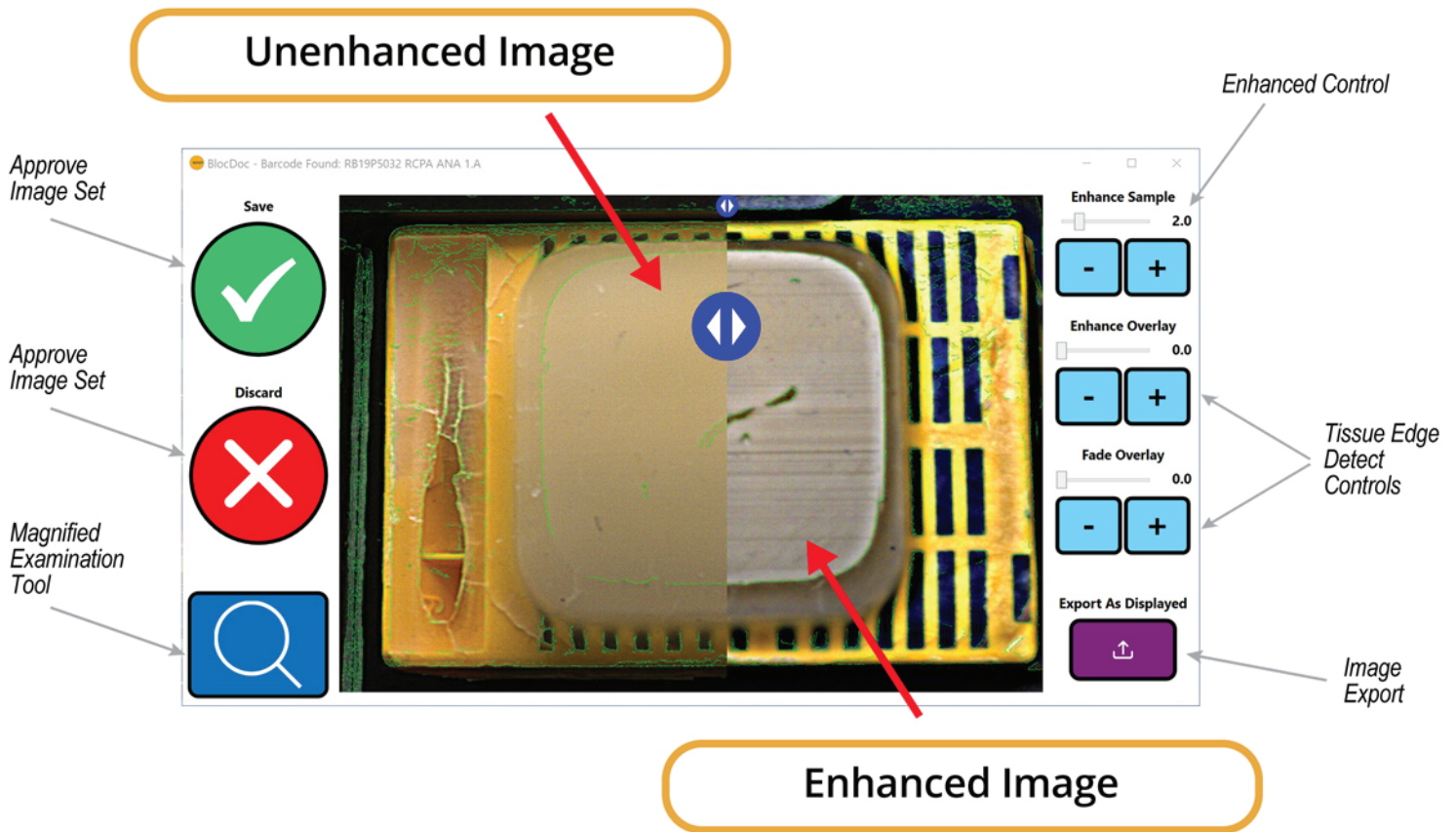
**BlocDoc** meets accreditation checklist requirements by providing pathologists digital reference images of the cut block and raw slides at the time of slide examination (glass or WSI).

**BlocDoc** provides enhanced image review of the:

- Cut Surface of the Paraffin Block
- Below Surface Tissue in the Paraffin Block
- Raw Slide Tissue Levels

**BlocDoc** also provides reference labs an efficient tool for documenting incoming tissue blocks and slides providing an accurate record of what has been received.

## BlocDoc is the Right Tool for the Job...



1-Filippo Fraggetta, 1 Yukako Yagi, 2 Marcial Garcia-Rojo, 3 Andrew J. Evans, 4 J. Mark Tuthill, 5 Alexi Baidoshvili, 6 Douglas J. Hartman, 7 Junya Fukuoka, 8 and Liron Pantanowitz 7 The Importance of eSlide Macro Images for Primary Diagnosis with Whole Slide Imaging: J Pathol Inform. 2018; 9: 46. Published online 2018 Dec 24. doi: 10.4103/jpi.jpi\_70\_18

2- Vincenzo L'Imperio, Fabio Gibilisco, Filippo Fraggetta; (2021), What is Essential is (No More) Invisible to the Eyes: The Introduction of BlocDoc in the Digital Pathology Workflow. J Pathol Inform, 12(1), 15. <https://www.jpathinformatics.org/text.asp?2021/12/1/32/326167>.

3-Liron Pantanowitz, MD; John H. Sinaard, MD, PhD; Walter H. Henricks, MD; Lisa A. Fatheree, BS, SCT(ASCP); Alexis B. Carter, MD; Lydia Contis, MD; Bruce A. Beckwith, MD; Andrew J. Evans, MD, PhD; Christopher N. Otis, MD; Avtar Lal, MD, PhD; Anil V. Parwani, MD, PhD Validating Whole Slide Imaging for Diagnostic Purposes in Pathology: Archives of Pathology Laboratory Medicine — Vol 137, December 2013; p. -1710-1722:

4- Peter Hufnagl, Ralf Zwönitzer, Gunter Haroske; Guidelines Digital Pathology for Diagnosis on (and Reports of) Digital Images Version 1.0 Bundesverband deutscher Pathologen e.V. (Federal Association of German Pathologist) diagnostic pathology 2018, 4:266

5- Simon Cross, Peter Furness, Laszlo Igali, David Snead, Darren Treanor Best practice recommendations for implementing digital pathology : The Royal College of Pathologists; Unique document number G162, Date active: January 2018

# Streamlined for the Histology Lab...

BlocDoc not only meets the needs of the accreditation checklist, it meets the needs of the personnel using it by providing...



## Streamlined Workflow

BlocDoc is an automated image capture system optimized for the Histology workflow.

For the **Microtommist**, it is as simple as placing the block onto the sample holder and pushing the trigger button. This is typically a 2 second operation that allows the microtommist to return to their work until they are ready to place the next block or slide.



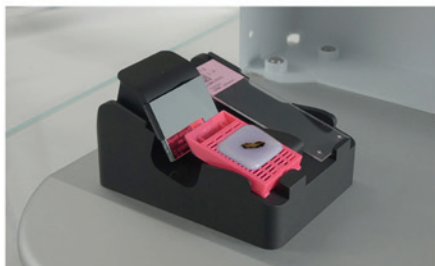
## In the background, BlocDoc takes care of the image acquisition...

- First, a set of reflected and polarized light images are captured.
- Next, the sample barcode is captured and decoded
- Lastly, **BlocDoc** automatically saves the images to the image repository based on the barcode information captured.

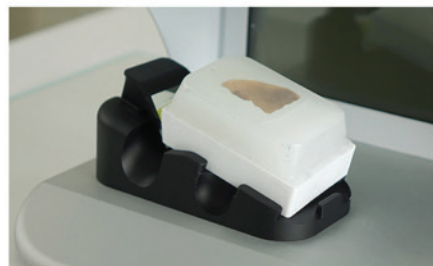


## Full Sample Support

BlocDoc is one instrument that is quickly converted to run standard blocks and slides to one that runs whole mount blocks and slides. The sample holders change out in less than 5 seconds allowing even short runs of whole mounts to be easily accommodated on any BlocDoc instrument.



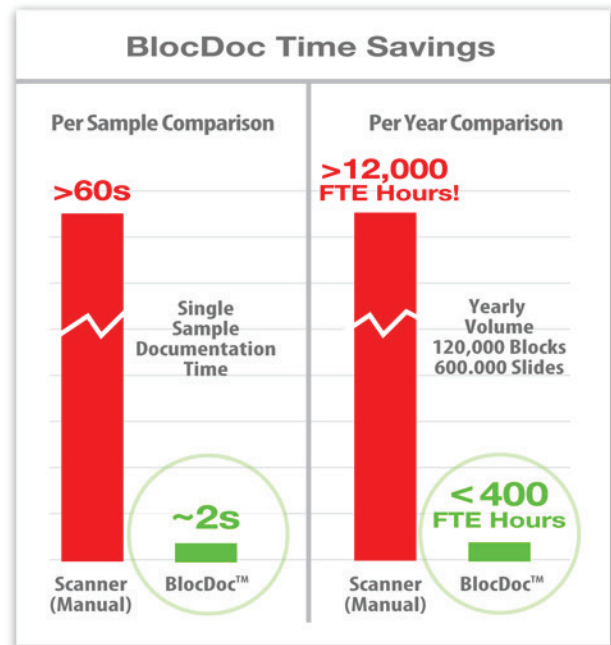
Standard Mount Sample Holder  
Cassette & Slide Pockets- Side by  
Side With Cassette & Slide  
Mounted



Whole Mount Sample Holder  
Shared Cassette / Slide Pocket  
With Cassette Mounted



Whole Mount Sample Holder  
Shared Cassette / Slide Pocket  
With Slide Mounted



# Enhanced Images for the Pathologist...

BlocDoc's enhanced images provide the pathologist with a virtual solution that is better than having the physical specimen block in hand.

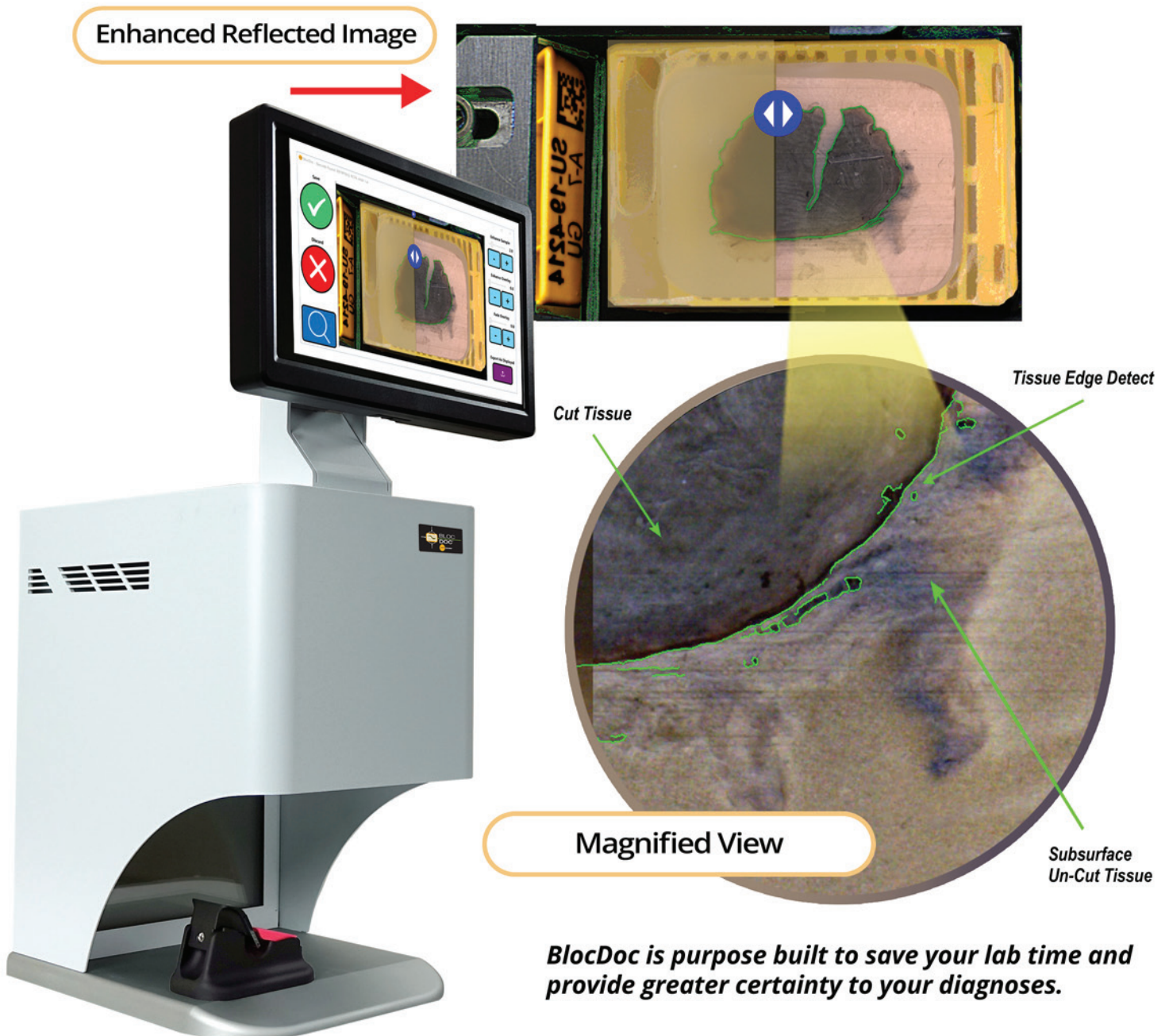


## Clarifying the View

BlocDoc's patented\* imaging process provides enhanced views of the block's cut surface as well as views of the subsurface, uncut tissue. This eases the visualization of what tissue made it to the slide and what tissue is still in the block. Additional images provide documentation of the raw unstained slide tissue, supporting reviews of each tissue level before staining. This eliminates the hesitance that previously accompanied the manual retrieval of blocks for review. The result is greater confidence in calling for recuts or rescans dictated by missing tissue.

The BlocDoc system not only makes the tissue review process more convenient it makes the review clear.

\*Patent Pending US and Int'l



***BlocDoc is purpose built to save your lab time and provide greater certainty to your diagnoses.***

# BlocDoc Addresses Your Needs

---



## Microtomist Needs:

Easy To Learn

Easy To Use

Ergonomic Design

Addresses Bad Barcodes

## BlocDoc Provides:

Graphical User Interface

One Button Push / Automatic Operation

Easy to use Sample Holders

On-Screen Correction Tools



## Pathologist Needs:

Easy To Learn & Use

Sample Images Part of Case File

Enhanced Images

Answers Tissue Completeness

## BlocDoc Provides:

Graphical User Interface

Open Images from Case File Image Gallery

Patented Imaging and Enhancement Techniques

View Cut Surface and Tissue in Block



## Histology Manager Needs:

Completes Digital Pathology Workflow

Increases Lab Efficiency

Reduces Errors

Maintains Lab Accreditation

Support All Sample Types

## BlocDoc Provides:

Digital Sample Assets

2 s Operation Eliminates Calls for Physical Block Transport

Inspection Performed Prior to Slide Delivery

Addresses CAP Accreditation Checklist

Swappable Sample Holders for Standard & Whole Mount



## IT Department Needs:

Easy Setup and Maintenance

Simple LIS Data Transfer

## BlocDoc Provides:

Software Pre installed

Simple Sweep Directory or Full HL7 Synchronization



## Hospital Administrator Needs:

Increases Lab Efficiency

Increases Diagnoses Certainty

Reduces Hospital Risk Profile

## BlocDoc Provides:

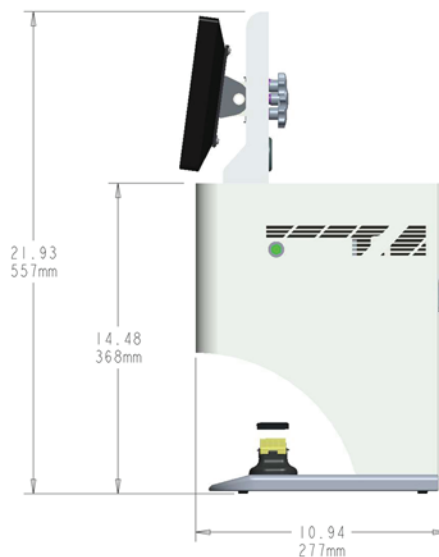
Leverage Assets and Greater ROI

Better Patient Outcomes and Higher Hospital Ranking

Greater Diagnostic Certainty and Less mistakes

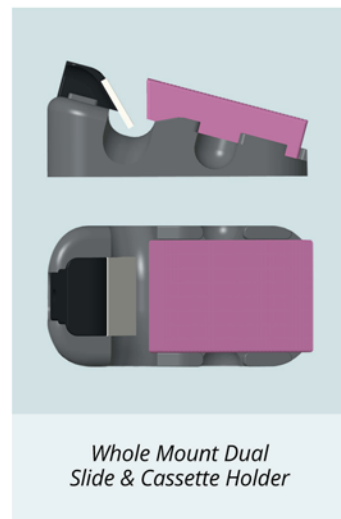
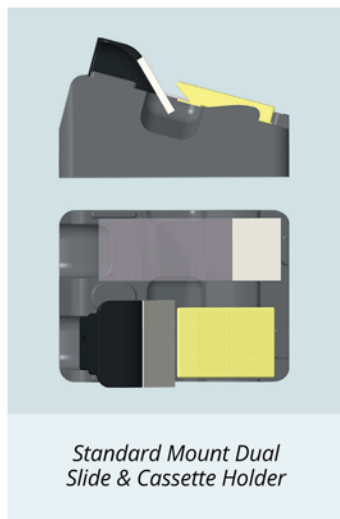
# BlocDoc Specifications

BlocDoc Specifications		
Specification	Metric	SAE
Computer OS	Win 10 Pro	Win 10 Pro
USB 3.0 Ports	1	1
LAN Port	1	1
Keyboard and Mouse	Standard Wireless	Standard Wireless
Hand Held Barcode Reader	Optional	Optional
Display		
Touch screen	Standard	Standard
Size Diagonal	256.5 mm	10.1"
Resolution	1920 x 1080	1920 x 1080
Power / Environment		
Input	100-240VAC 2.5A 50/60Hz	
Fuse	5A 100-240VAC 5x20mm SloBlo	
Operating Temperature	0-40 C / 32-104 F	
Cautions	For Indoor use ONLY. For use with Diagnostic Instruments, Inc. BlocDoc Software.	
Certifications	CE, FCC Class A, RoHS	
Instrument Size		
Height	21.93"	557 mm
Width	9.50"	241 mm
Depth	10.94"	277 mm
Weight		
Instrument	35 lbs	15.8757 kg
Shipping	45 lbs	20.4117 kg
Sample Holders		
Standard Mt. Slide	For Std Slide Only Documentation	
Standard Mt. Cassette	For Std Cassette Only Documentation	
Standard Mt. Dual-Cassette & Slide	For Serial Std Slide & Cassette Documentation	
Whole Mt. Dual-Cassette & Slide	For All Whole Mount Sample Documentation	
Additional Cassette Barcode Mirrors	Spares for Quick 2 sec Swap When Dirty	



## SPOT Sample Holder Units

Sample holders designed to hold standard and whole mount cassettes and slides.



# SPOT Integrated Pathology

## Clinical Team Needs:

Team Collaboration

Streamlined Workflows

Clear Professional Presentations

Support of Existing Infrastructure

Easy to Budget

Stepwise Implementation

## PathSuite Provides:

Central Archive and Telepathology Links

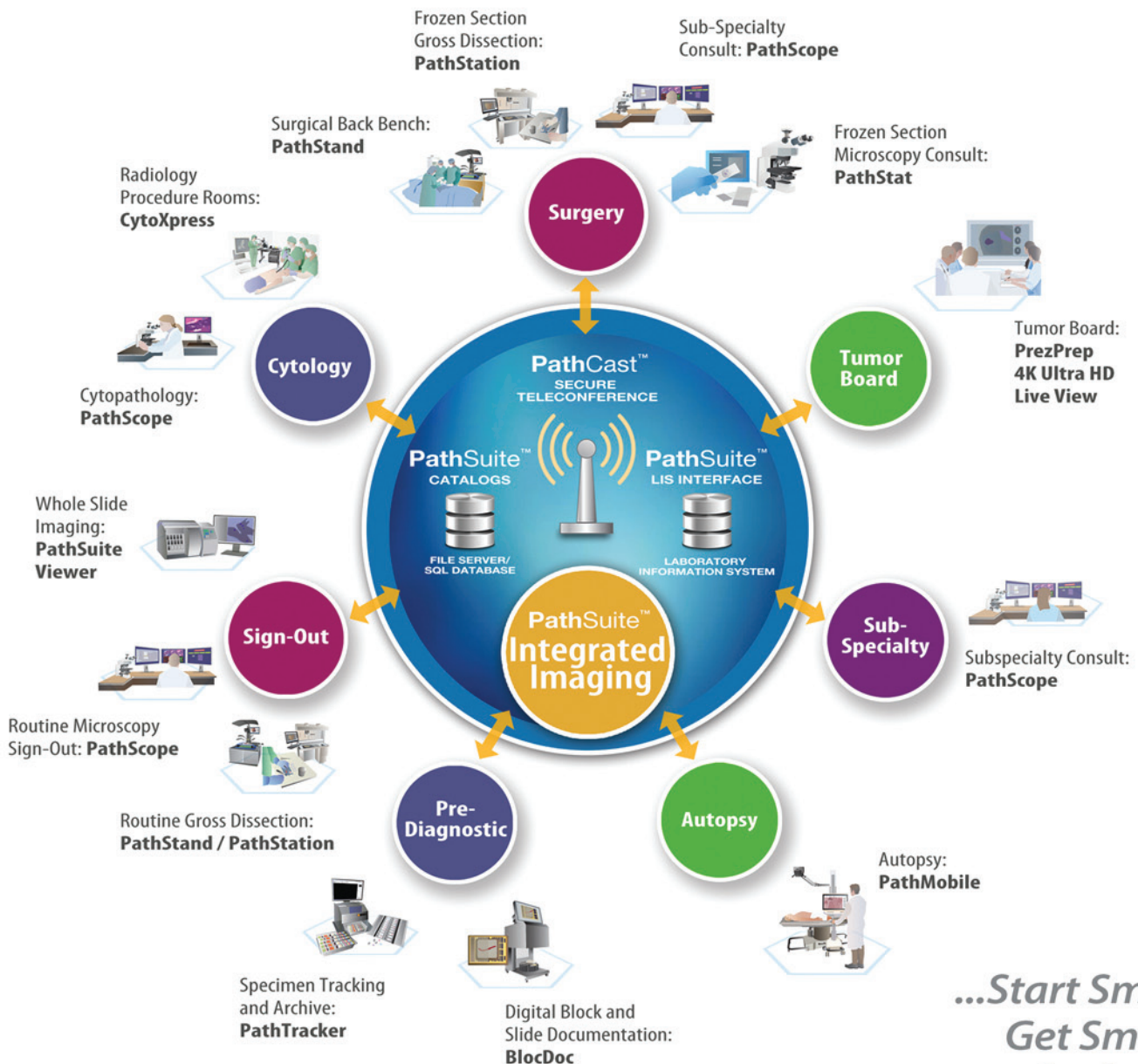
Purpose Designed Hardware and Software

Great Images, Clean Layouts

Configurable Hardware and Software

Budget Positive ROI's

Expandable, Interconnected, Modular Solutions



*...Start Small,  
Get Smart,  
Scale Up!*