

Disappointed that the New Olympus DP74 still uses a PCIe Plugin Card?

Supports Mini-Computer Formats



All SPOT cameras use USB 2.0 / USB 3.0 computer connections AND provide benchmark performance for microscopy imaging!



The Trade-Off

Historically, superior performance required expense and complexity that stressed the IT department's resources.

Conversely, when cost effective solutions were procured to meet budget constraints, user performance suffered. It was a "NO WIN" situation for IT departments.

SPOT Solves the Dilemma...

SPOT has removed the barriers by providing benchmark performance on common small form factor computers.* This makes SPOT the "WIN-WIN" solution for Pathology Labs and IT departments around the world.

(*400+ GFLOP computers)

SPOT is Easy to Setup, Easy to Use and Easy to Maintain...

SPOT Cameras use USB 2.0 and USB 3.0 Interfaces:

- Easy industry standard connection
- **NO** PCIe Slots Required!!!

SPOT "No Compromise" Designs:

- 3, 5 & 12Mp resolution
- Full color correction
- 30+ frames per second Live mode

One Click Mouse Control of:

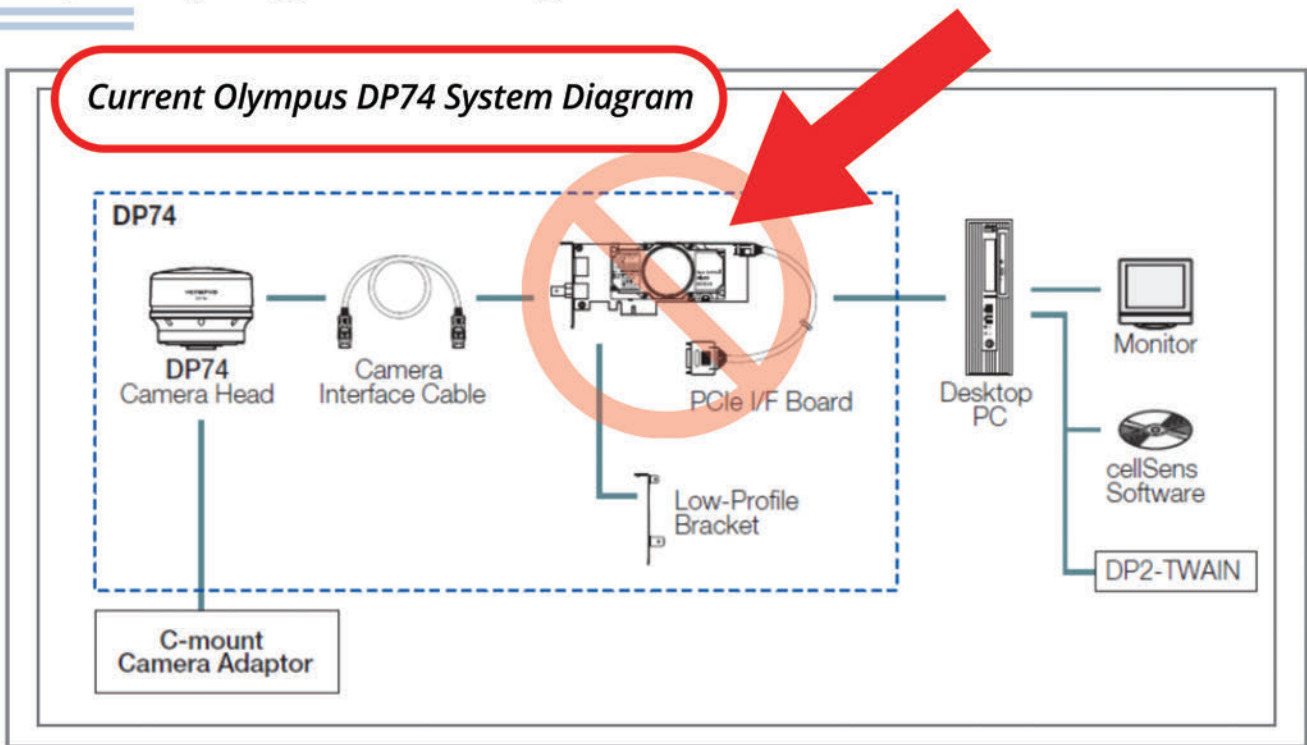
- On screen pointer
- Zoom and pan window
- Calibration and measurement
- Browse and open

Easy Support for Nearly Any Equipment:

- Standard Small Form Factor 400 GFLOP computers supported
- Standard USB 2.0 / 3.0 computer connection
- Your existing microscopes are supported by a full selection of optical adapters
- Fits your tumor board display with 4K UHD and 1080p HD Presentation Modes
- Software options from entry level to Integrated Image Management



Stop Buying PCIe Plug-In Cards!



See Why Leading Institutions are Making SPOT Their Standard...

University Hospitals:



Indiana University Health

THE GEORGE WASHINGTON UNIVERSITY HOSPITAL

Commercial Pathology Services:



Community Hospitals:



Provincial Hospitals:



DOD & Veterans Hospitals:



Contact Us...

For a Demo!..



6540 Burroughs Ave. • Sterling Heights, MI 48314
 Email: Info@spotimaging.com • Toll Free: +1 866-604-SPOT
 Direct: +1 586-731-6000
 PN: Win10 Update Board_Flyer